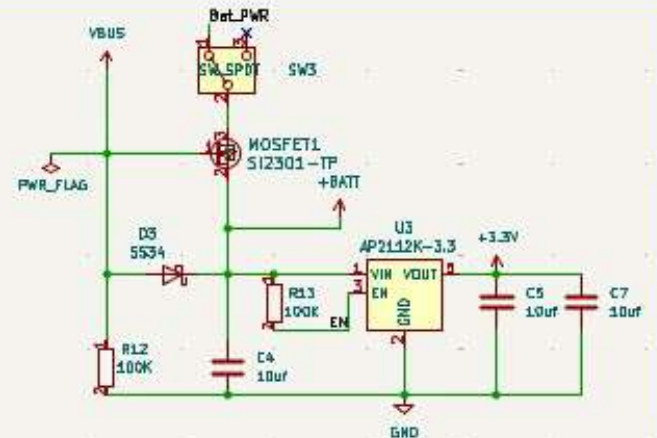
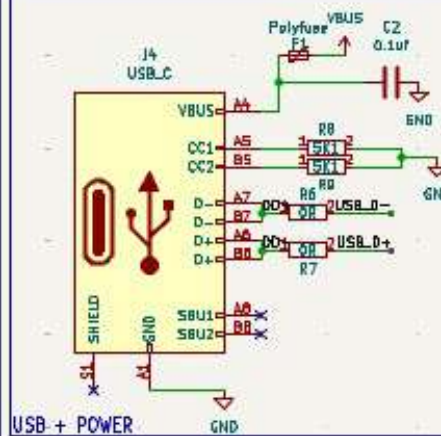
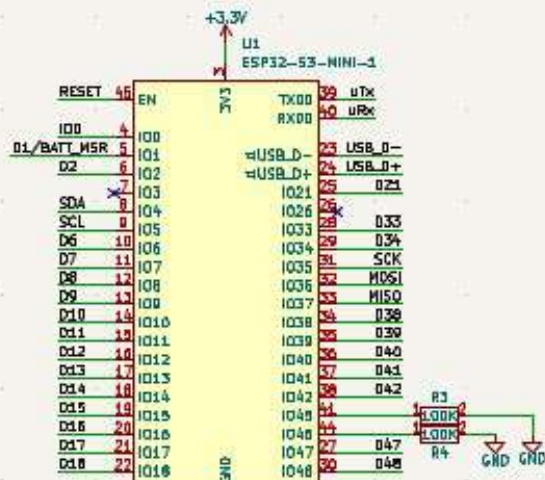
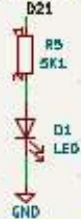


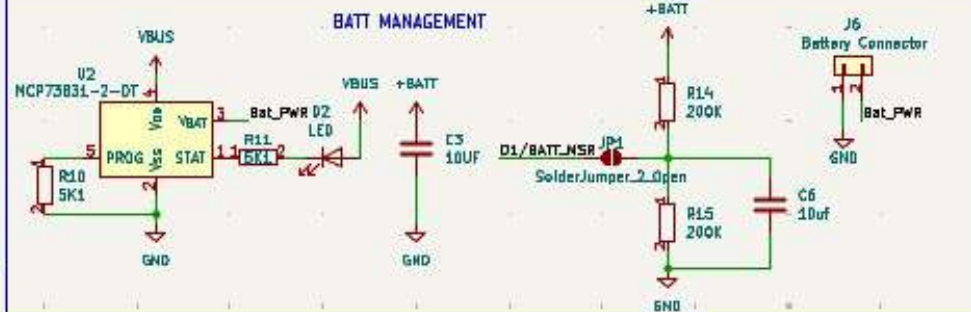
MICROCONTROLLER



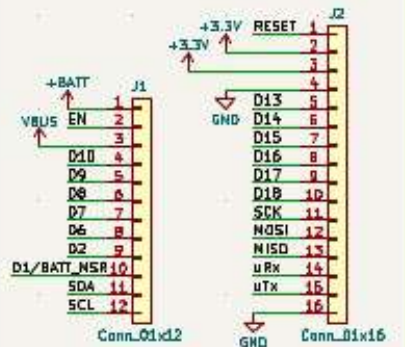
ON BOARD LED



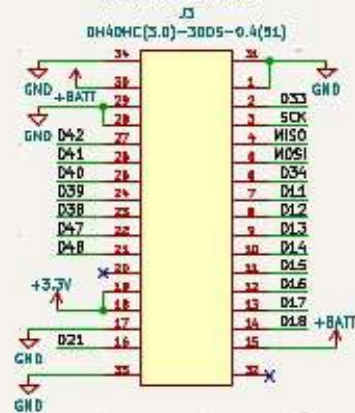
BATT MANAGEMENT



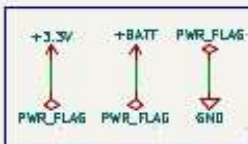
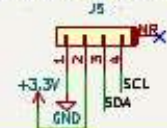
FRONT SIDE HEADER



BOTTOM SIDE HEADER



QWIC / STEMMA QT / I2C



Open Source
License : CC-BY-SA
Author : Srinivasan M
PCBCUPIID

Sheet /
File: esp32s3.kicad_sch

Title: GLYPH-C6

Size: A4 Date: 2024-09-05

KiCad E.D.A. 9.0.1

Rev: V3

Id: 1/1